

Current part is item (9) on diagram. Available at [www.oshkoshequipment.com](http://www.oshkoshequipment.com)

(1) SMR Code	(2) Federal Stock Number	(3) Description	(4) Unit of Meas.	(5) Qty In Unit	(6) 15-day Maintenance allow	(7) Organizational Illustration	(a) Figure No.	(b) Item No.
Reference number & mfg. code			Usable on code		(a) (b) (c) (d)	(a) (b) (c) (d)	(a) (b)	(a) (b)
1601-SPRINGS-CONTINUED								
PAOZZ	5340-482-3791	BRACKET: 7992548 (19207)	A	EA	2	* * * *	143	3
PAOZZ	5310-062-4954	NUT,PLAIN,HEXAGON: HANGER MS21045-8 (96906)	A	EA	10	* * * *	143	4
PAOZZ	2510-741-2376	PIN, VEHICULAR LEAF: SPRING TO HANGER (2) UPPER SHACKLE (2), LOWER SHACKLE (2) 7412376 (19207)	A	EA	6	* * * *	143	5
PAOZZ	4730-050-4208	FITTING, LUBRICATION: MS15003-1 (96906)	A	EA	6	* * * *	143	6
PAOZZ	5305-246-6566	SCREW,CAP,HEXAGON HEAD: HANGER SPRING MS90726-120 (96906)	A	EA	2	* * * *	143	7
PAOZZ	2510-740-9344	SHACKLE ASSEMBLY: 7409344 (19207)	A	EA	2	* * * *	143	8
PAOZZ	2510-741-1110	SPRING ASSEMBLY, LEAF: 7411110 (19207)	BE, IA	EA	2	* * * *	143	9
PAOZZ	2510-385-7937	SPRING ASSEMBLY, LEAF: 8402437 (19207)	LA, MA	EA	2	* * * *	143	9
PAOZZ	2510-740-9345	SPRING ASSEMBLY, LEAF: 7409345 (19207)	A (EXCEPT BE)	EA	2	* * * *	143	9
PAOZZ	5305-716-8182	SCREW,CAP,HEXAGON HEAD: MS90726-117 (96906)	A	EA	2	* * * *	143	10
PAOZZ	5310-275-8264	NUT,PLAIN,HEXAGON: CLAMP PLATE 5298551 (19207)	A	EA	8	* * * *	143	11
PAOZZ	5310-013-1143	WASHER,LOCK; CLAMP PLATE MS35339-33 (96906)	A	EA	8	* * * *	143	12
PAOZZ	5306-575-5420	BOLT,U: FRONT SPRING 8741540 (19207)	A (EXCEPT BC, BE, HB, IA, LA, MA)	EA	4	* * * *	143	13
PAOZZ	5306-840-2424	BOLT,U: FRONT SPRING 8402424 (19207)	BC, BE, HB, IA, LA, MA	EA	4	* * * *	143	13
PAOZZ	5340-740-9335	BUMPER, RUBBER: 7409335 (19207)	A	A	2	* * * *	143	14
PAOZZ	5310-732-0560	NUT,PLAIN,HEXAGON MS53968-14 (96906)		EA	2	* * * *	144	1
PAOZZ	2510-741-1111	SPRING,LEAF: NO. 1 7411111 (19207)	KA, KB, HB, IA,	EA	2	* * * *	144	2

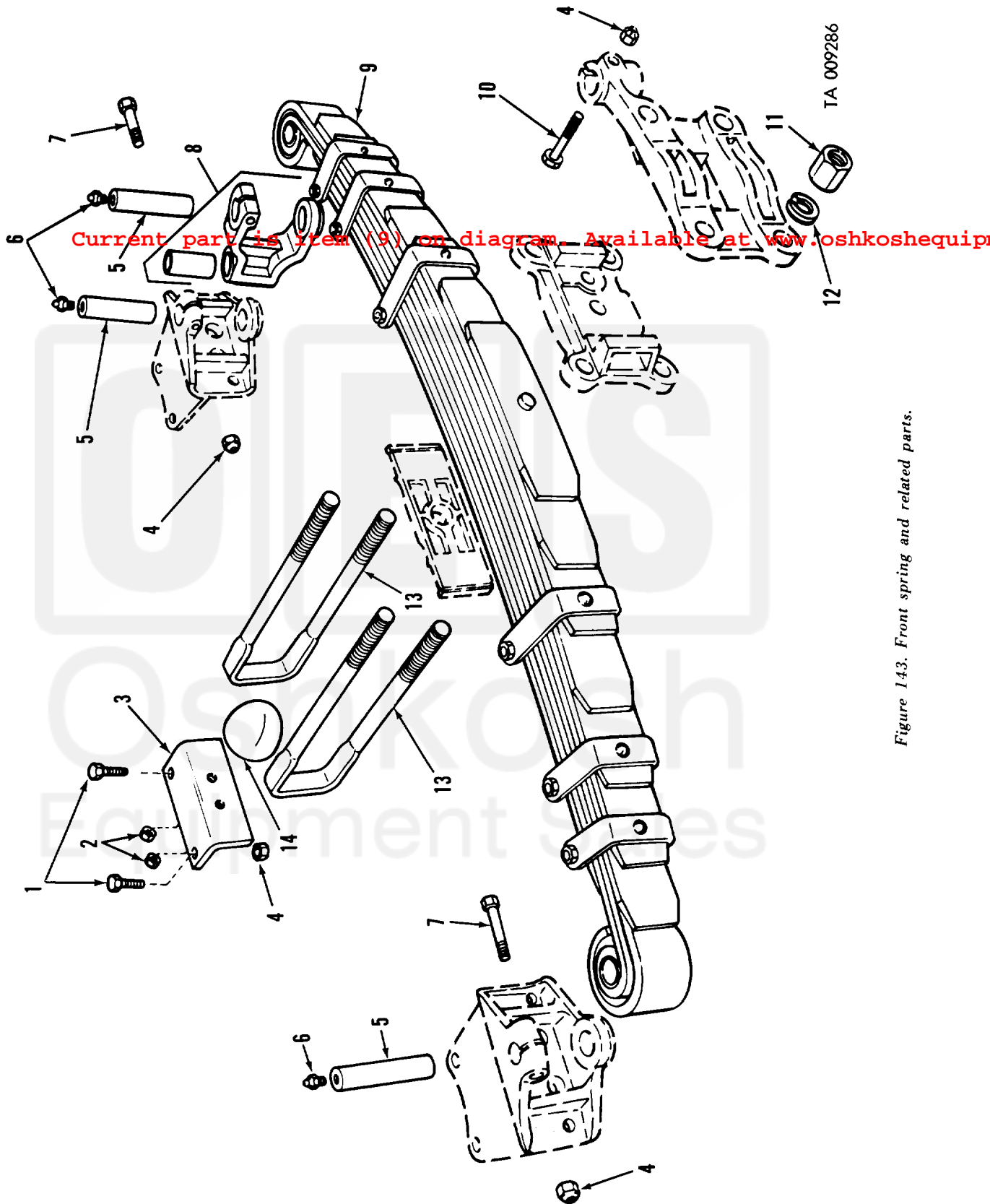


Figure 143. Front spring and related parts.