

(1) SMR Code	(2) Federal Stock Number	(3) Description	(4) Unit of Meas.	(5) Qty	(6) 15-day In	(7) Organizational Maintenance alw	(a) 1-5	(b) 6-20	(c) 21-50	(d) 51-100	(7) Illustration Figure No.	(b) Item No.
<p>Current part is item (7) on diagram. Available at www.oshkoshequipment.com</p>												
		Reference number & mfg. code	Usable on code									
		1208-AIR BRAKE SYSTEM-CONTINUED NONILLUSTRATED-CONTINUED										
PAOZZ	2530-898-0224	HOSE ASSEMBLY,BRAKE: INTERVEHICULAR 7413037(19207) NONILLUSTRATED	A	EA	2	*	*	*	*			
PAOZZ	4730-494-6580	TEE,PIPE TO TUBE: LINE TO GOVERNOR MS39190-3(96906)	A	EA	1	*	*	*	*			
PAOZZ	4730-511-1671	CONNECTOR,AIR BRAKE: 8331478(19207)	A	EA	4	*	*	*	*			
PAOZZ	4730-546-5902	COUPLING,PIPE: AIR GAGE TO AIR HOSE 8747887(19207)	A	EA	1	*	*	*	*			
PAOZZ	4730-987-9073	ADAPTER,STRAIGHT,PIPE TO HOSE: AIR BRAKE, 1/2 NPTF MALE PIPE END,3/8 X 3/4 O.D. HOSE END ASSEMBLY MS39133-2(96906) NONILLUSTRATED	A	EA	4	*	*	*	*			
PAOZZ	5340-700-1765	SPRING,HELICAL,COMPRESSION: AIR SUPPLY VALVE 202677(06853)	A	EA	2	*	*	*	*			
		1209-AIR COMPRESSOR ASSEMBLY										
PAOZZ	4730-044-4688	PLUG,PIPE: 1/8-27NPTF, AIR COMPRESSOR CRANKSHAFT REAR BEARING COVER AND UNLOADER VALVE LEVER COVER WWP471(81349)	AA	EA	2	*	*	*	*	114		1
PAOFF	2530-142-1743	COMPRESSOR,RECIPROCATOR: 7539349(19207)	AA	EA	1	*	*	*	*	114		2
PAOZZ	4730-045-9767	PLUG,PIPE: HEX-SOCKET, 1/4-18NPTF, AIR COMPRESSOR CYLINDER MS490006-4(96906)	AA	EA	1	*	*	*	*	114		3
PAOZZ	2530-740-9206	PULLEY ASSEMBLY, AIR COMPRESSOR: W/FLANGE 7409206(19207)	AA	EA	1	*	*	*	*	114		4
PAOZZ		PULLEY, AIR COMPRESSOR: REAR 108971247(19207)	EA	EA	1	*	*	*	*	114		5
PAOZZ		PULLEY, AIR COMPRESSOR: FRONT 8682896(19207)	EA	EA	1	*	*	*	*	114		6
PAOZZ	3030-821-8270	BELT,V: COMPRESSOR DRIVE MS51070-42(96906)	AA	EA	1	*	*	*	*	114		7
PAOZZ	5310-275-9453	NUT,PLAIN,SLOTTED: 7376063(19207)	AA	EA	1	*	*	*	*	114		8
PAOZZ	5315-012-0123	PIN,COTTER: 1/8 X 1 1/4 IN.LG,SLOTTED NUT MS24665-355 (96906)	AA	EA	1	*	*	*	*	114		9
PAOZZ	5310-637-9541	WASHER, LOCK: FRONT PULLEY, 3/8 NOM SIZE MS35338-46(96906)	AA	EA	2	*	*	*	*	114		10

TA 009274

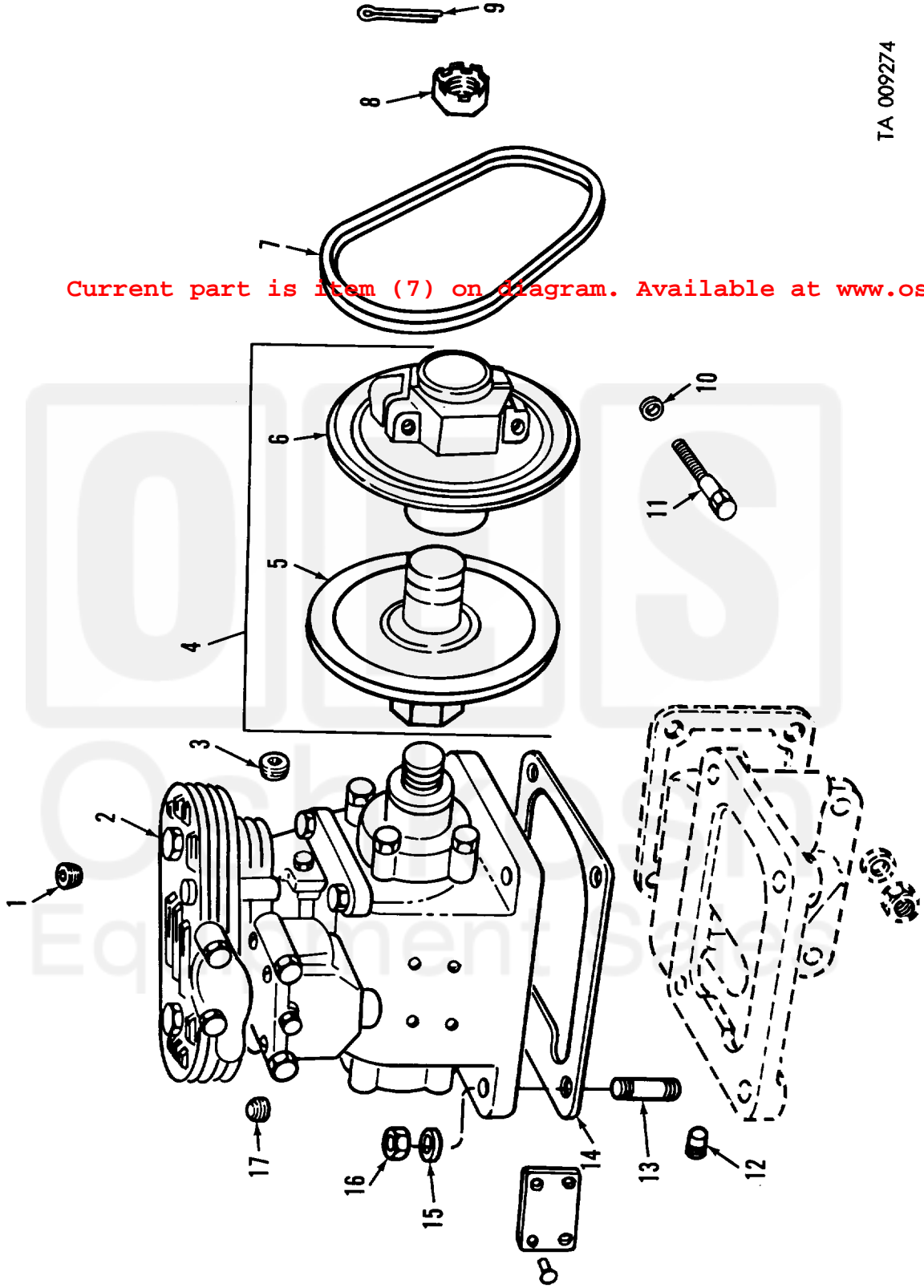


Figure 114. Air compressor assembly (gasoline).

Current part is item (7) on diagram. Available at www.oshkoshequip.com