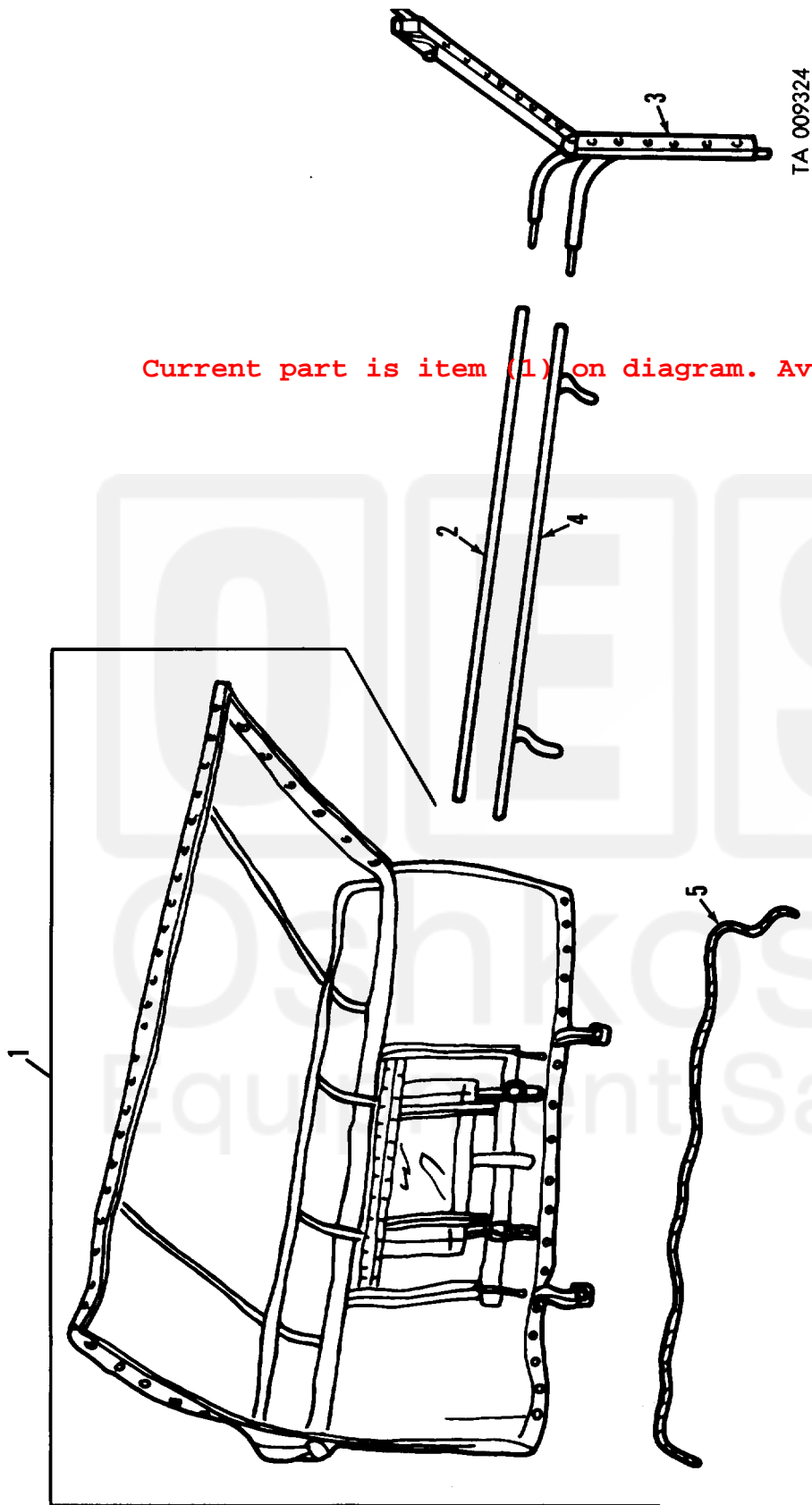


| (1) SMR Code | (2) Federal Stock Number | (3) Description | (4) Unit of Meas. | (5) Qty | (6) 15-day Maintenance In | (7) Organizational alw | (7) Illustration No. | (a) Figure No. | (b) Item No. |
|--------------------------------------------------------------------------------------------------------------------------|-----------------------------------|----------------------------------------------------------------------|----------------------------|------------|------------------------------------|------------------------------|----------------------------|----------------------|--------------------|
| Current part is item (1) on diagram. Available at www.oshkoshequipment.com | | | | | | | | | |
| | | Reference number & mfg. code | Usable on code | (a) 1-5 | (b) 6-20 | (c) 21-50 | (d) 51-100 | | |
| | | 2001-CANVAS,RUBBER OR PLASTIC ITEMS-CONTINUED | | | | | | | |
| PAOZZ | 2540-860-2357 | FRAME:CANOPY TABULAR STEEL REAR 10876565 (19207) | BD,HA,FH | EA | 1 | * | * | * | 197 4 |
| PAOZZ | 2540-737-2723 | COVER:CAB TOP WITH REAR CURTAIN ASSEMBLY 66048 (82278) | AE | EA | 1 | * | * | * | 198 1 |
| PAOZZ | 2510-737-2713 | BAR:CROSS FRONT BOW 66032 (822780) | AE | EA | 1 | * | * | * | 198 2 |
| PAOZZ | 2510-740-9596 | POST PILLAR, CAB TOP: (LEFT) 7409596 (19207) | AE | EA | 1 | * | * | * | 198 3 |
| PAOZZ | 2510-740-9597 | POST PILLAR,CAB TOP: (RIGHT) 7409597 (19207) | AE | EA | 1 | * | * | * | 198 3 |
| PAOZZ | 2520-740-9678 | BAR:CROSS CAB TOP BOW 67314 (82278) | AE | EA | 1 | * | * | * | 198 4 |
| PAOZZ | 4020-551-8804 | CORD,COTTON: TC571 (81348) | AE | FT | V | * | * | * | 198 5 |
| | | 2202-ACCESSORY ITEMS | | | | | | | |
| PAOZZ | 2540-640-2267 | BLADE,WINDSHIELD WIPER: (12 INCHES LONG) MS53048-12 (96906) | A | EA | 2 | * | * | * | 199 1 |
| PAOZZ | 2540-050-0810 | ARM,WINDSHIELD WIPER: (ADJUSTABLE) 500810 (19207) | A | EA | 2 | * | * | * | 199 2 |
| PAOZZ | 5310-705-8965 | NUT,PLAIN,CAP:WINDSHIELD WIPER ARM TO MOTOR SHAFT 7058965 (19207) | A | EA | 2 | * | * | * | 199 3 |
| PAOZZ | 5305-531-0452 | SCREW,ASSEMBLED WASHER:MOTOR MOUNTING 594269 (21450) | A | EA | 4 | * | * | * | 199 4 |
| PAOZZ | 2540-753-9697 | BRACKET:INSIDE REAR VIEW MIRROR 7539697 (19207) | A | EA | 1 | * | * | * | 199 5 |
| PAOZZ | | SCREW: 164475 (21450) | A | EA | 2 | * | * | * | 199 6 |
| PAOZZ | 2540-054-7201 | MIRROR ASSEMBLY,REAR VIEW: 547201 (21450) | A | EA | 1 | * | * | * | 199 7 |
| PAOZZ | 2540-391-4322 | MOTOR,WINDSHIELD WIPER: MS53017-1 (96906) | A | EA | 2 | * | * | * | 199 8 |
| PAOZZ | 4730-908-3195 | CLAMP,HOSE: MS35842-10 (96906) | A | EA | 8 | * | * | * | 199 9 |
| PAOZZ | 5305-836-9566 | SCREW,TAPPING,THREAD FORMING: N145P1708C (03538) | A | EA | 4 | * | * | * | 199 10 |
| PAOZZ | 4720-203-2668 | HOSE,NONMETALLIC:WINDSHIELD WIPER LINE A12876 (65909) | A | FT | V | * | * | * | 199 11 |
| PAOZZ | 4710-277-5525 | TUBE,COPPER:WINDSHIELD WIPER LINE BB3338 (50513) | A | FT | V | * | * | * | 199 12 |



TA 009324

Current part is item (1) on diagram. Available at www.oshkoshequip.com

Figure 198. Cab top assembly.

Current part is item (1) on diagram. Available at www.oshkoshequip.com