

| (1)<br>ILLUS-<br>TRATION |             | (2)<br>SMR CODE |              |       |       | (3)<br>USMC |                | (4)                         | (5)<br>DESCRIPTION  |                         | (6) | (7)                      | (8)                         |
|--------------------------|-------------|-----------------|--------------|-------|-------|-------------|----------------|-----------------------------|---|-------------------------|-----|--------------------------|-----------------------------|
| a                        | b           | a               | b            | c     | d     | a           | b              | NATIONAL<br>STOCK<br>NUMBER | REF NUMBER<br>& MFR CODE  | USABLE<br>ON<br>CODE    | U/M | QTY<br>INC<br>IN<br>UNIT | USMC<br>QTY<br>PER<br>EQUIP |
| FIG<br>NO.               | ITEM<br>NO. | ARMY            | AIR<br>FORCE | NAVY  | USMC  | SSI         | REPL<br>FACTOR |                             |   |                         |     |                          |                             |
|                          |             |                 |              |       |       |             |                |                             | ENGINE ASSEMBLY   |                         |     |                          |                             |
| 29                       | 81          | PAOZZ           | PAFZZ        |       | PAFZZ | D           | .008           | 5306-00-225-8494            | SCREW<br>MS90725-29   | 96906                   | EA  | 2                        | 2                           |
| 29                       | 82          | PAOZZ           | PAFZZ        | PAHZZ | PAOZZ | D           | .010           | 5310-00-407-9586            | WASHER, LOCK<br>MS35338-45  | 96906                   | EA  | 2                        | 217                         |
| 29                       | 83          | XBOZZ           | XBFZZ        | XBHZZ | XB--- |             |                |                             | GUARD, ALTERNATOR FAN<br>04308-5078<br>71-4555  | 93568<br>30554          | EA  | 1                        | 1                           |
| 29                       | 84          | PAOZZ           | PAFZZ        |       | PAOZZ | I           | .035           | 3030-00-399-5235            | BELT, FAN DRIVE SET OF 4<br>20796-5-8181<br>71-4938-02                                  | 20796<br>30554          | EA  | 1                        | 1                           |
| 29                       | 85          | PAOZZ           | PAFZZ        |       | PAOZZ | I           | .035           | 3030-00-569-9447            | BELT, ALTERNATOR DRIVE<br>71-4938-04<br>20796-5-8115                                    | 30554<br>20796          | EA  | 1                        | 1                           |
| 29                       | 86          | PAOZF           | PAFFF        | PAHHH | PAFHH | I           | 360            | 2920-00-215-0495            | ALTERNATOR<br>69-780-2<br>70D44672B02<br>(See fig. 33)                                  | 30554<br>80211          | EA  | 1                        | 1                           |
| 29                       | 86A         | PADFL           | PAFFF        | PAHOH | PAFHH | D           | .100           | 2920-01-013-5802            | ALTERNATOR, BATTERY CHARGING<br>ANJ7001<br>72-2250-2<br>(See fig. 33A)                  | 19728<br>30554          | EA  | 1                        |                             |
| 29                       | 87          | PAOZZ           | PAFZZ        | XBHZZ | XB--- |             |                | 4730-00-209-1559            | ELBOW<br>71-4820<br>23916-8   | 30554<br>99103          | EA  | 1                        | 2                           |
| 29                       | 88          | PAOZZ           | PAFZZ        | PAHZZ | PAFZZ | D           | .008           |                             | COCK, SHUT-OFF<br>69-659<br>K400-3  | 30554<br>16024          | EA  | 1                        | 6                           |
| 29                       | 89          | PAOZZ           | PAFZZ        | XBHZZ | XB--- |             |                | 4730-00-821-3612            | NIPPLE, CLOSE<br>MS51953-73   | 96906                   | EA  | 1                        | 4                           |
| 29                       | 90          | PAFZZ           | PAFZZ        | XBHZZ | PAHZZ | D           | .008           | 4730-00-231-5598            | ELBOW<br>AN914-4  | 88044                   | EA  | 1                        | 2                           |
| 29                       | 91          | XBFZZ           | XBFZZ        |       | XC--- |             |                |                             | PLATE, IDENTIFICATION<br>OVERSPEED RESET<br>71-4506                                     | 30554                   | EA  | 1                        | 1                           |
| 29                       | 92          | PAFZZ           | PAFFF        | PAHHH | PAHHH | D           | .150           | 5930-00-430-3540            | OVERSPEED SWITCH, S9<br>SA897-3D0B<br>70-1105-2 (See Fig.34)<br>70-1105-4 (See Fig.34A) | 78388<br>30554<br>30554 | EA  | 1                        | 1                           |
| 29                       | 93          | PAOZZ           | PAFZZ        | XBHZZ | XB--- |             |                | 4730-00-231-3012            | ELBOW<br>MS20822-6-6  | 96906                   | EA  | 1                        | 4                           |
| 29                       | 94          | PAOZZ           | PAFZZ        | PAHZZ | XB--- |             |                | 4730-00-187-0844            | CONNECTOR, MALE<br>AN816-6-6  | 88044                   | EA  | 1                        | 1                           |
| 29                       | 95          | PAFZZ           | PAFZZ        | PAHZZ | PAFZZ | D           | .008           | 5305-00-903-7298            | SCREW<br>MS90725-189  | 96906                   | EA  | 1                        | 2                           |
| 29                       | 96          | PAOZZ           | PAFZZ        | PAHZZ | PAOZZ | D           | .008           | 5305-00-724-5911            | SCREW<br>MS90725-163  | 96906                   | EA  | 3                        | 25                          |
| 29                       | 97          | PAOZZ           | PAFZZ        | PAHZZ | PAOZZ | D           | .010           | 5310-00-820-8853            | WASHER, LOCK<br>MS35338-50  | 96906                   | EA  | 3                        | 14                          |
| 29                       | 98          | XBFZZ           | XBFZZ        | XBHZZ | XB--- |             |                |                             | SUPPORT, ENGINE, RIGHT<br>71-4558-02  | 30554                   | EA  | 1                        | 1                           |
| 29                       | 99          | PAFZZ           | PAFZZ        | PAHZZ | PAOZZ | D           | .008           | 5305-00-269-3209            | SCREW<br>MS90725-58   | 96906                   | EA  | 3                        | 12                          |

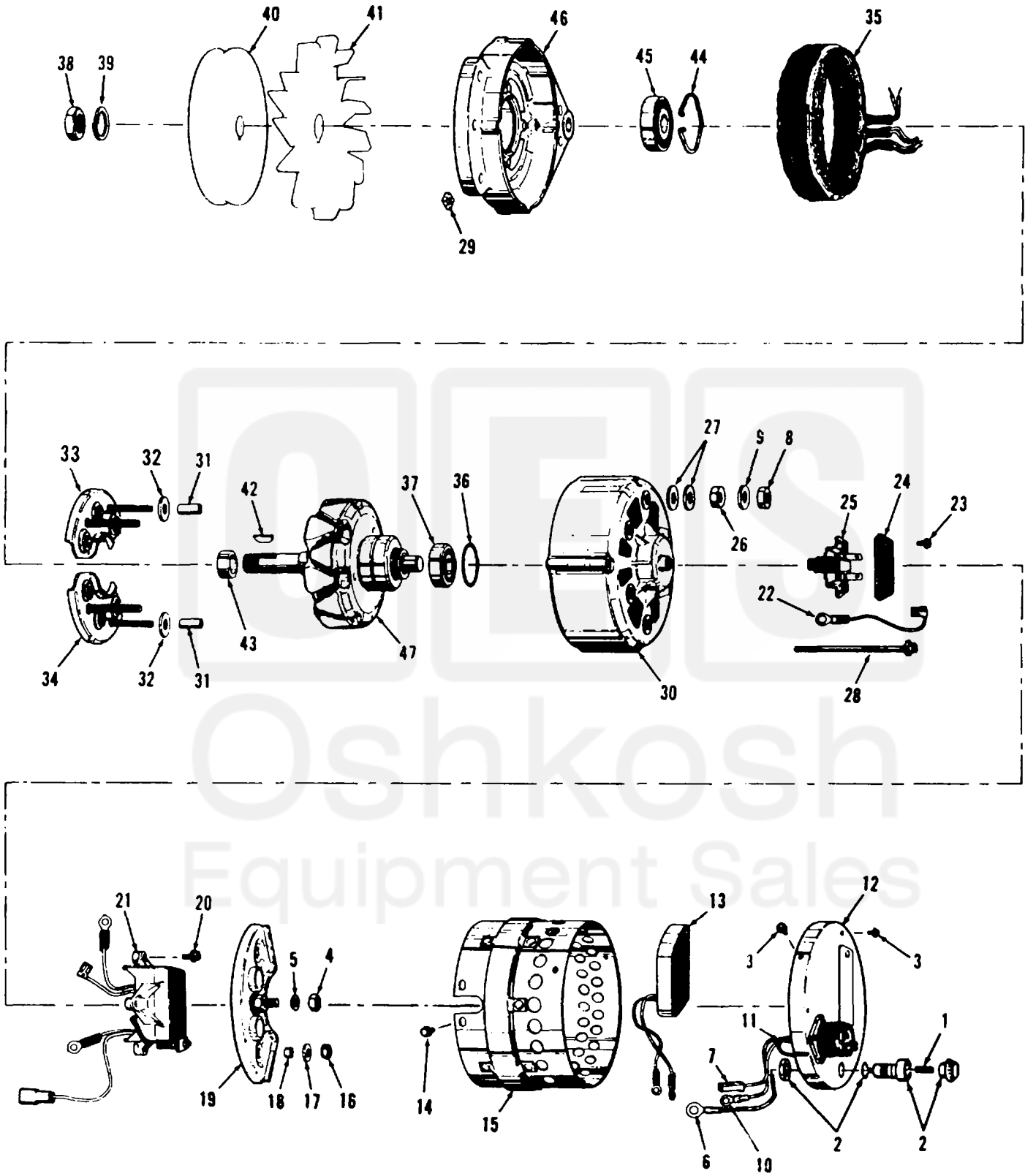


Figure 33. Alternator