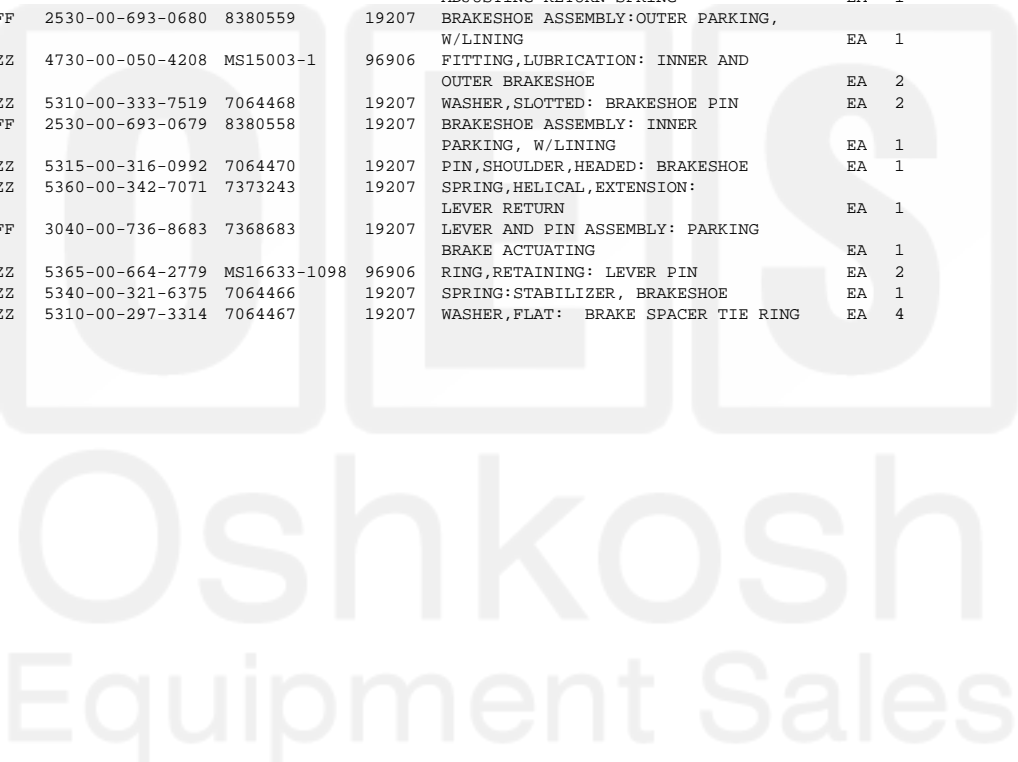
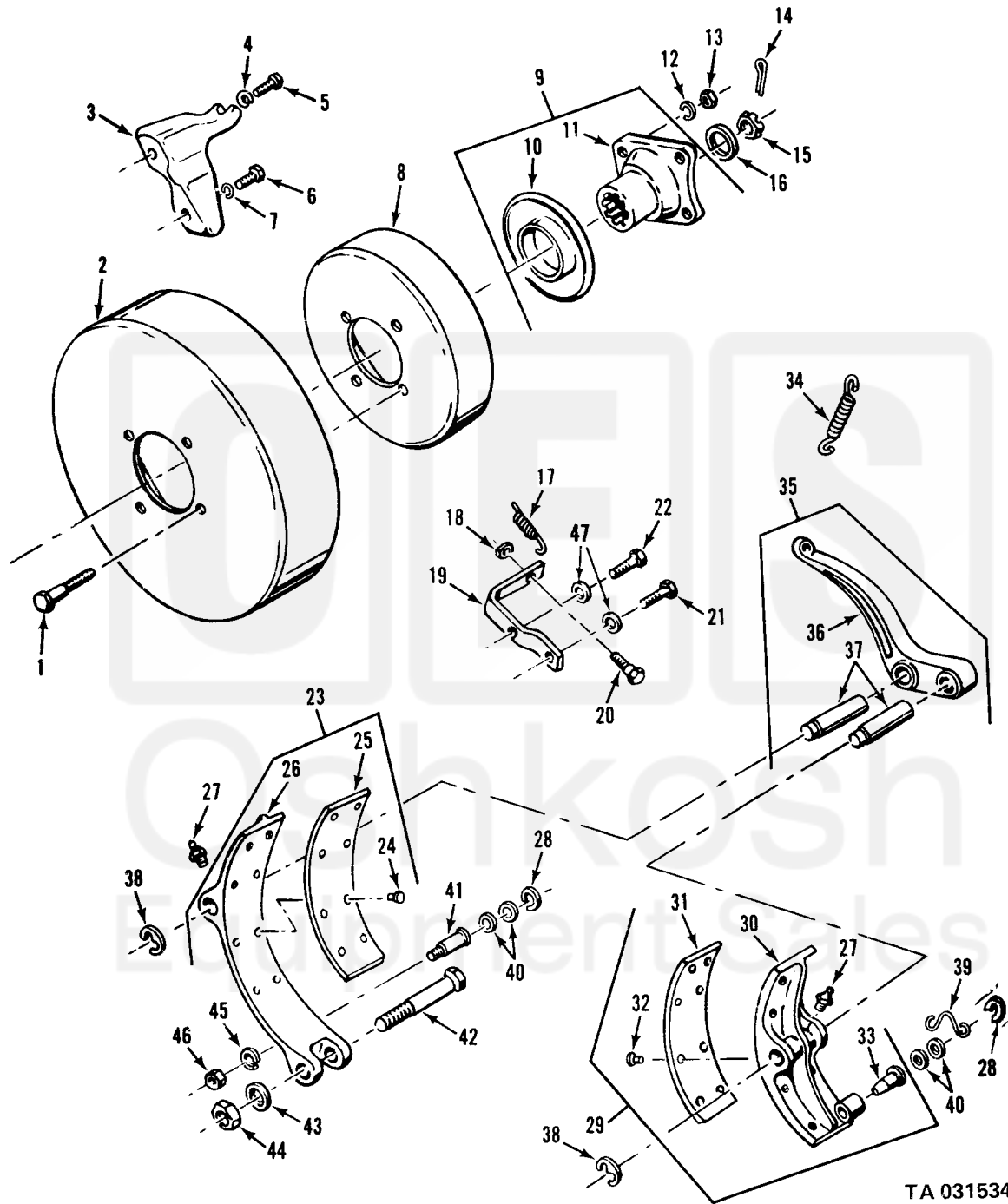


Current part is item (35) on diagram. Available at [www.oshkoshequipment.com](http://www.oshkoshequipment.com)

(1) (a) FIG. NO.	(2) (b) ITEM NO.	(3) SMR CODE	(4) NATIONAL STOCK NUMBER	(5) PART NUMBER	(6) DESCRIPTION	(7) U/M	(8) INC IN UNIT
GROUP 12-BRAKES							
1201-HAND BRAKES							
111	1	PAOZZ	5306-00-752-1014	7521014	19207 BOLT,RIBBED NECK:PARKING BRAKE DRUM	EA	4
111	2	PAOZZ	2530-00-752-1490	7521490	19207 BRAKE DRUM: PARKING BRAKE	EA	1
111	8	XBOZZ		7529383	19207 SHIELD,GREASE: PARKING BRAKE DRUM	EA	1
111	9	PAOOO	2520-00-752-1276	7521276	19207 FLANGE,COMPANION W/DEFLECTOR ASSEMBLY: TRANSFER REAR SHAFT	EA	1
111	10	PAOZZ	2520-00-692-6080	7521242	19207 DEFLECTOR,DIRT AND LIQUID: COMPANION FLANGE	EA	1
111	11	PAOZZ	2520-00-134-5124	8757674	19207 FLANGE,COMPANION: BRAKE DRUM	EA	1
111	12	PAOZZ	5310-00-584-5272	MS35338-10	96906 WASHER,LOCK: PARKING BRAKE DRUM	EA	4
111	13	PAOZZ	5310-00-732-0560	MS51968-14	96906 NUT,PLAIN,HEXAGON: PARKING BRAKE DRUM	EA	4
111	14	PAOZZ	5315-00-013-7214	MS24665-359	96906 PIN,COTTER: BRAKE DRUM FLANGE	EA	1
111	15	PAOZZ	5310-00-752-1234	675762	58275 NUT,SLOTTED: BRAKE DRUM FLANGE	EA	1
111	16	PAOZZ	5310-00-752-1235	913701	58275 WASHER,FLAT: BRAKE DRUM FLANGE	EA	1
111	17	PAOZZ	5360-00-693-0615	7521284	19207 SPRING,HELICAL,EXTENSION: BRAKE SHOE ADJUSTING ANGLE RETURN	EA	1
111	18	PAOZZ	5310-00-880-7745	MS51968-11	96906 NUT,PLAIN,HEXAGON: BRAKE SHOE ADJUSTING SPRING SCREW	EA	1
111	20	PAOZZ	5305-00-709-8542	MS90727-91	96906 SCREW,CAP,HEXAGON HEAD: BRAKE SHOE ADJUSTING RETURN SPRING	EA	1
111	23	PAOFF	2530-00-693-0680	8380559	19207 BRAKESHOE ASSEMBLY: OUTER PARKING, W/LINING	EA	1
111	27	PAOZZ	4730-00-050-4208	MS15003-1	96906 FITTING,LUBRICATION: INNER AND OUTER BRAKESHOE	EA	2
111	28	PAOZZ	5310-00-333-7519	7064468	19207 WASHER,SLOTTED: BRAKESHOE PIN	EA	2
111	29	PAOFF	2530-00-693-0679	8380558	19207 BRAKESHOE ASSEMBLY: INNER PARKING, W/LINING	EA	1
111	33	PAOZZ	5315-00-316-0992	7064470	19207 PIN,SHOULDER,HEADED: BRAKESHOE	EA	1
111	34	PAOZZ	5360-00-342-7071	7373243	19207 SPRING,HELICAL,EXTENSION: LEVER RETURN	EA	1
111	35	PAOFF	3040-00-736-8683	7368683	19207 LEVER AND PIN ASSEMBLY: PARKING BRAKE ACTUATING	EA	1
111	38	PAOZZ	5365-00-664-2779	MS16633-1098	96906 RING,RETAINING: LEVER PIN	EA	2
111	39	PAOZZ	5340-00-321-6375	7064466	19207 SPRING:STABILIZER, BRAKESHOE	EA	1
111	40	PAOZZ	5310-00-297-3314	7064467	19207 WASHER,FLAT: BRAKE SPACER TIE RING	EA	4



Current part is item (35) on diagram. Available at [www.oshkoshequipment.com](http://www.oshkoshequipment.com)



TA 031534

Figure 111. Parking brake drum and shoes.