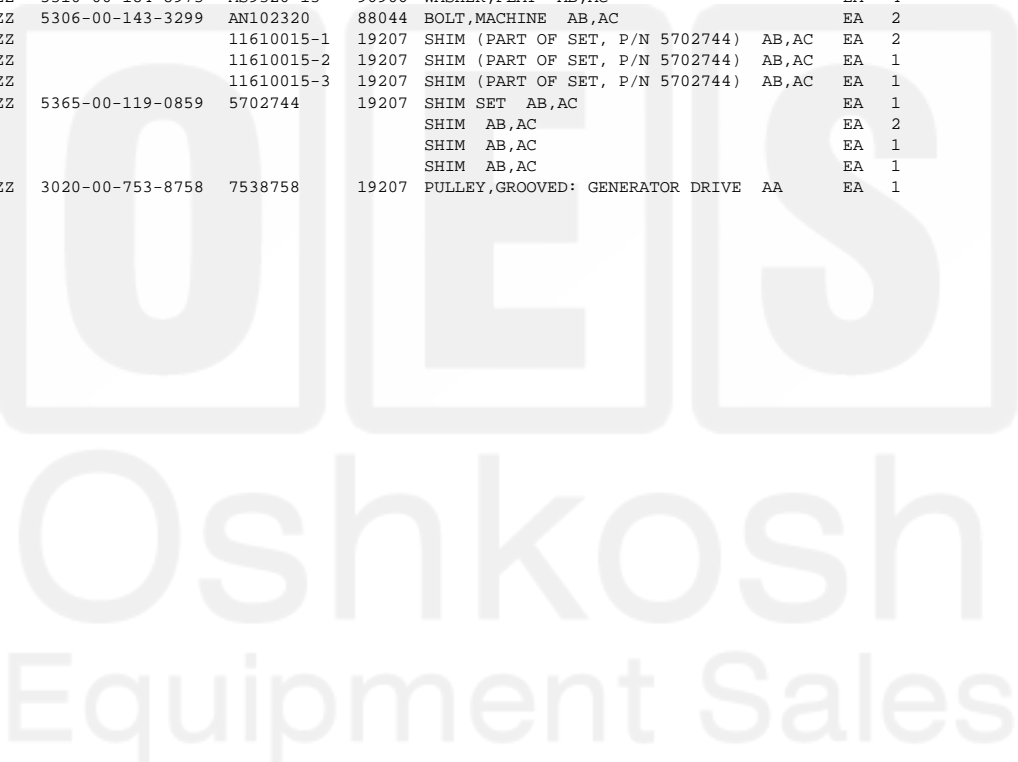
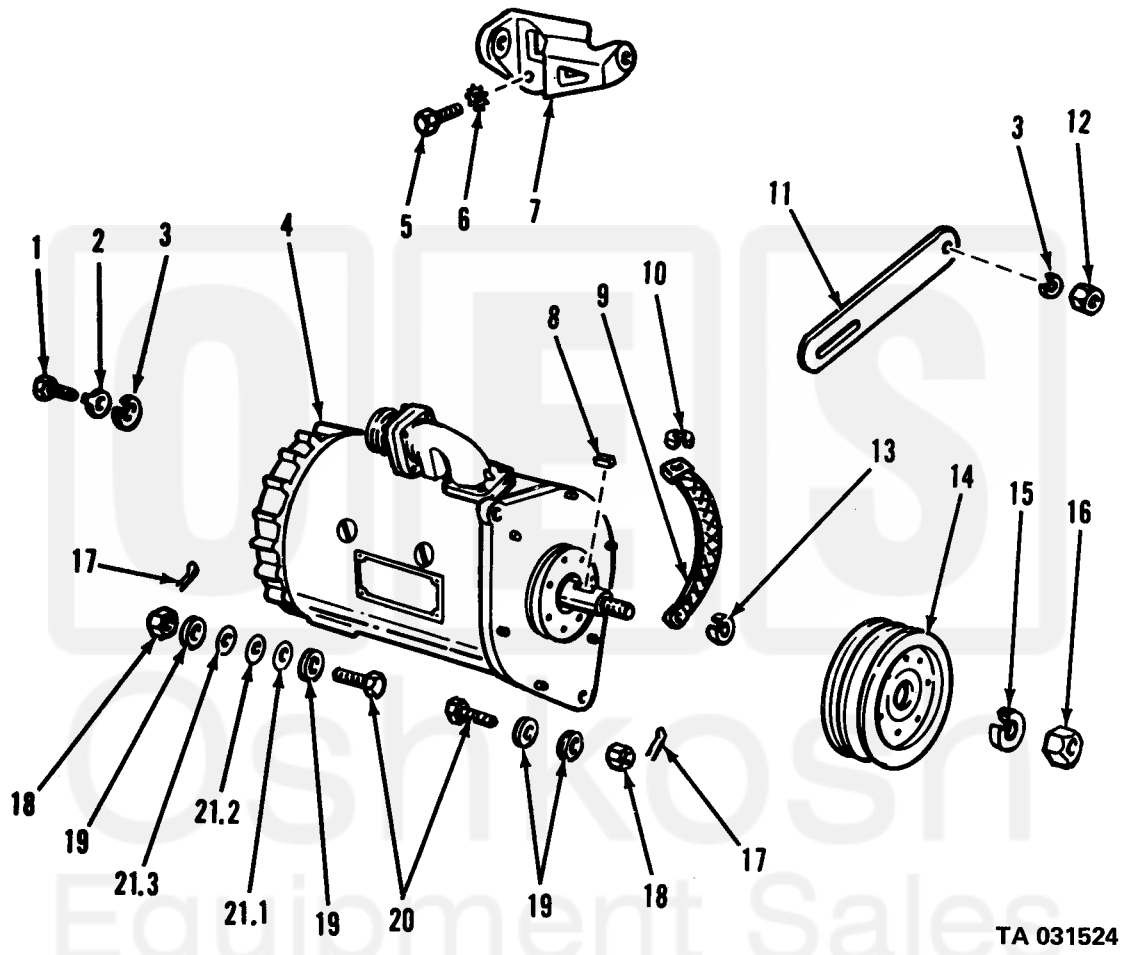


Current part is item (7) on diagram. Available at www.oshkosequipment.com

(1) FIG. NO.	(2) ITEM NO.	(3) SMR CODE	(4) NATIONAL STOCK NUMBER	(5) PART NUMBER	(6) DESCRIPTION	(7) U/M	(8) INC IN UNIT
GROUP 06-ELECTRICAL SYSTEM 0601-GENERATOR,ALTERNATOR							
54	1	PAOZZ	5305-00-269-3210	MS90725-59	96906 SCREW,CAP,HEXAGON HEAD AB,AC	EA	1
54	2	PAOZZ	5310-00-143-6488	10871194	19207 WASHER,KEY AB,AC	EA	1
54	3	PAOZZ	5310-00-959-4675	MS35340-46	96906 WASHER,LOCK AB,AC	EA	2
54	4	PAOFF	2920-00-293-4380	7355736	19207 GENERATOR,ENGIN ACCESSORY AB,AC	EA	1
54	4	PAOFF	2920-00-903-9534	10950808	19207 GENERATOR,ENGINE ACCESSORY AB,AC	EA	1
54	5	PAOZZ	5305-00-050-1076	MS90725-89	96906 SCREW,CAP,HEXAGON HEAD AB,AC	EA	3
54	6	PAOZZ	5310-00-080-9785	MS45904-80	96906 WASHER,LOCK AB,AC	EA	3
54	7	PAOZZ	2920-00-247-0000	10889930	19207 BRACKET,GENERATOR,MOTOR AB,AC	EA	1
54	8	PAOZZ	5315-00-616-5526	MS35756-8	96906 KEY,WOODRUFF AB,AC	EA	1
54	9	PAOZZ	6150-00-112-0236	11610016	19207 LEAD,ELECTRICAL AB,AC	EA	1
54	10	PAOZZ	5310-00-167-0721	MS35333-41	96906 WASHER,LOCK AB,AC	EA	1
54	11	PAOZZ	5340-00-490-4134	10898717	19207 STRAP,RETAINING AB,AC	EA	1
54	12	PAOZZ	5310-00-732-0558	MS51967-8	96906 NUT,PLAIN,HEXAGON AB,AC	EA	1
54	13	PAOZZ	5310-00-193-7574	373-1070-000	13499 WASHER,LOCK AB,AC	EA	1
54	14	PAOZZ	3020-00-848-8405	10889929	19207 PULLEY,GROOVE AB,AC	EA	1
54	15	PAOZZ	5310-00-809-5998	MS27183-18	96906 WASHER,FLAT AB,AC	EA	1
54	16	PAOZZ	5310-00-902-9369	MS21083N8	96906 NUT,SELF-LOCKING AB,AC	EA	1
54	17	PAOZZ	5315-00-939-0832	MS9245-46	96906 PIN,COTTER AB,AC	EA	2
54	18	PAOZZ	5310-00-167-1288	AN310-7	88044 NUT,PLAIN,CASTELLATED AB,AC	EA	2
54	19	PAOZZ	5310-00-184-8973	MS9320-13	96906 WASHER,FLAT AB,AC	EA	4
54	20	PAOZZ	5306-00-143-3299	AN102320	88044 BOLT,MACHINE AB,AC	EA	2
54	21.1	KFOZZ		11610015-1	19207 SHIM (PART OF SET, P/N 5702744) AB,AC	EA	2
54	21.2	KFOZZ		11610015-2	19207 SHIM (PART OF SET, P/N 5702744) AB,AC	EA	1
54	21.3	KFOZZ		11610015-3	19207 SHIM (PART OF SET, P/N 5702744) AB,AC	EA	1
54		PAOZZ	5365-00-119-0859	5702744	19207 SHIM SET AB,AC	EA	1
54	21.1				SHIM AB,AC	EA	2
54	21.2				SHIM AB,AC	EA	1
54	21.3				SHIM AB,AC	EA	1
55	1	PAOZZ	3020-00-753-8758	7538758	19207 PULLEY,GROOVED: GENERATOR DRIVE AA	EA	1



Current part is item (7) on diagram. Available at www.oshkosequipment.com



TA 031524

Figure 54. Generator and associated parts.