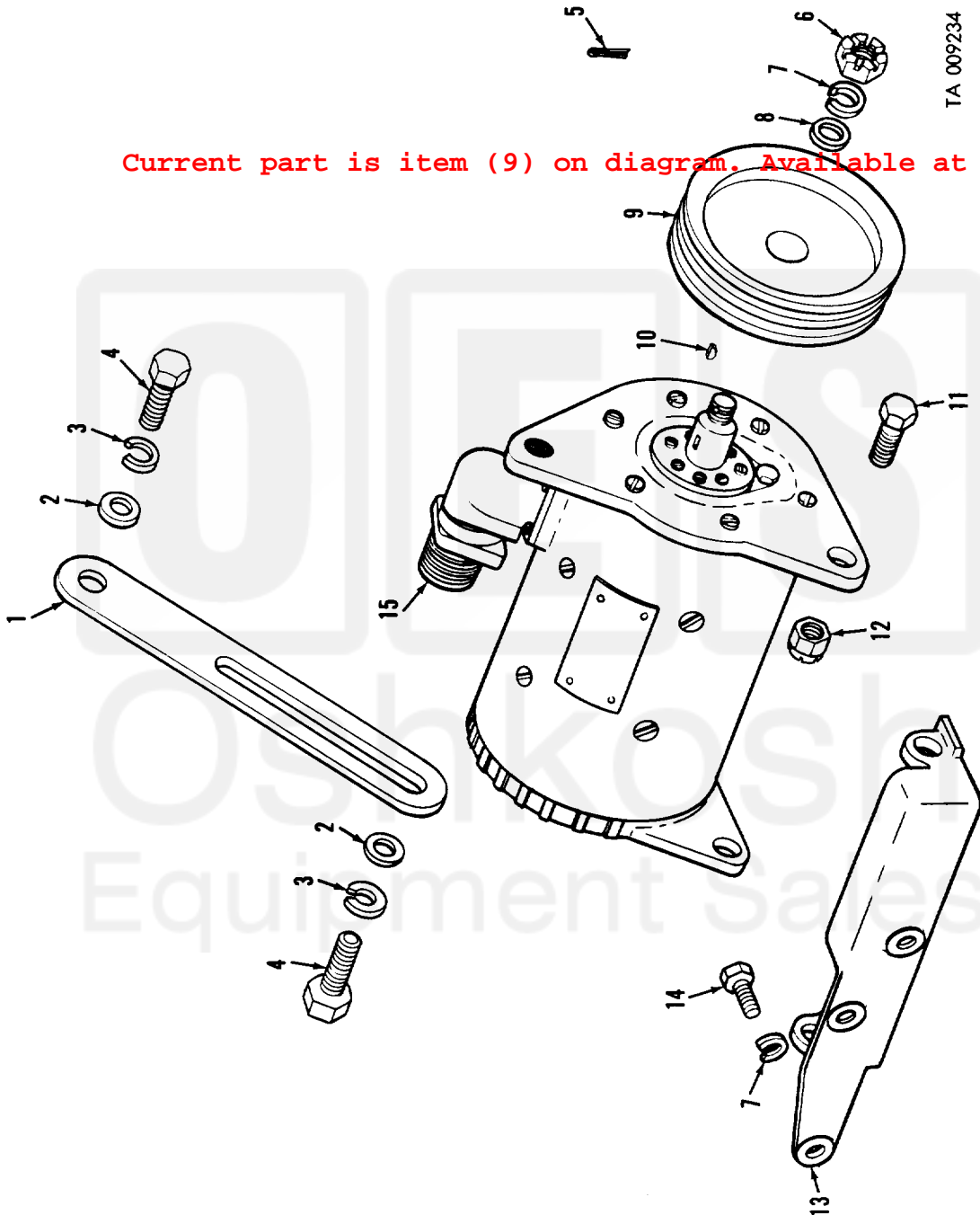


(1) SMR Code	(2) Federal Stock Number	(3) Description	(4) Unit of Meas.	(5) Qty	(6) 15-day Maintenance In Unit	(7) Organizational alw	(a) 1-5	(b) 6-20	(c) 21-50	(d) 51-100	(a) Figure No.	(b) Item No.
0601-GENERATORS-CONTINUED												
PAOZZ	5315-939-0832	PIN, COTTER: 7 / 8 IN. LG, GENERATOR MOUNTING BOLT MS9245-46 (96906)	AB	EA	2	*	*	*	*		52	14
PAOZZ	5310-167-1288	NUT, CASTELLATED: GENERATOR TO MOUNTING BRACKET AN310-7 (88044)	AB	EA	2	*	*	*	*		52	15
PAOZZ	5310-184-8973	WASHER, FLAT: GENERATOR TO MOUNTING BRACKET MS9320-13 (96906)	AB	EA	4	*	*	*	*		52	16
PAOZZ	5306-143-3299	BOLT, MACHINE: GENERATOR TO MOUNTING BRACKET AN102320 (88044)	AB	EA	2	*	*	*	*		52	17
KFOZZ		SHIM: GENERATOR MOUNTING 11610015-1 (19207)	AB	EA	2	(SEE SET 2920-119-0859)					52	18
KFOZZ		SHIM: GENERATOR MOUNTING 11610015-2 (19207)	AB	EA	1	(SEE SET 2920-119-0859)					52	19
KFOZZ		SHIM: GENERATOR MOUNTING 11610015-3 (19207)	AB	EA	1	(SEE SET 2920-119-0859)					52	20
XBOZZ		LINK: GENERATOR ADJUSTING 4MJ1105 (76040)	AC	EA	1						53	1
PAOZZ	5310-808-6004	WASHER, FLAT: .406 NOM SIZE, ADJUSTING LINK SCREW MS27183-14 (96906)	AC	EA	2	*	*	*	*		53	2
PAOZZ	5310-959-4675	WASHER, LOCK: 3/8 NOM SIZE, ADJUSTING LINK SCREW MS35340-46 (96906)	AC	EA	2	*	*	*	*		53	3
PAOZZ	5305-269-3210	SCREW, CAP, HEXAGON HEAD: 3/8-UNC-2A X 7 / 8, ADJUSTING LINK SCREW MS90725-59 (96906)	AC	EA	2	*	*	*	*		53	4
PAOZZ	5315-816-1794	PIN, COTTER: 3 / 32 X 1 IN. LG, SLOTTED HEXAGON NUT MS24665-285 (96906)	AC	EA	1	*	*	*	*		53	5
PAOZZ	5310-902-9369	NUT, SELF-LOCKING, HEXAGON: 1/2 PULLEY TO ARMATURE MS21083N8 (96906)	AC	EA	1	*	*	*	*		53	6
PAOZZ	5310-842-1490	NUT, SLOTTED, HEXAGON: 1/2-28UNF-2B, PULLEY TO ARM ATURE MS35692-37 (96906)	AC	EA	1	*	*	*	*		53	6
PAOZZ	5310-584-5272	WASHER, LOCK: 1/2 NOM SIZE, PULLEY TO ARM ATURE (1), MOUNTING BRACKET (3) MS35338-48 (96906)	AC	EA	4	*	*	*	*		53	7
PAOZZ	5310-809-5997	WASHER, FLAT: 1/2 NOM SIZE, PULLEY TO ARM ATURE (1), MOUNTING BRACKET (3) MS27183-17 (96906)	AC	EA	4	*	*	*	*		53	8
PAOZZ	2920-974-7455	PULLEY, GROOVED: GENERATOR 302GC2210 (76040)	AC	EA	1	*	*	*	*		53	9
PAOZZ	5315-616-5526	KEY, WOODRUFF: PULLEY TO ARM ATURE MS35756-8 (96906)	AC	EA	1	*	*	*	*		53	10



TA 009234

Current part is item (9) on diagram. Available at www.oshkoshequip.com

Figure 53. Generator assembly and related parts—diesel.

Current part is item (9) on diagram. Available at www.oshkoshequip.com